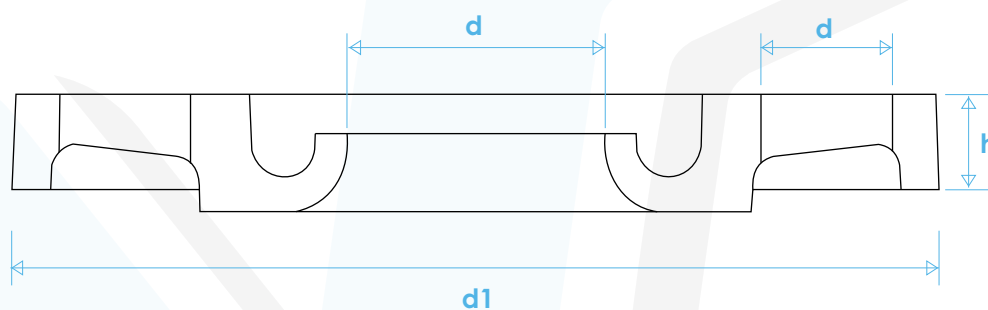


# Ductile iron backing ring (Flange)

dimensions in inches  
Copyright Valtic, s.a. de c.v.

MEASURE	d	d1	d2	h		Holes number
				SRD 7 (267 PSI)	SRD 11 (160 PSI)	
2"	2.6	6.0	0.8	0.8	0.5	4
3"	3.8	7.5	0.8	0.9	0.5	4
4"	4.8	9.0	0.8	0.9	0.6	8
6"	6.9	11.0	0.9	1.0	0.6	8
8"	8.9	13.5	0.9	1.1	0.9	8
10"	11.0	16.0	1.0	1.2	1.0	12
12"	13.2	19.0	1.1	1.5	1.3	12
14"	14.4	21.0	1.1	...	1.4	12
16"	16.4	23.5	1.1	...	1.7	16
18"	18.4	25.0	1.3	...	1.7	16
20"	20.5	27.5	1.3	...	1.8	20
22"	22.5	29.5	1.4	...	2.0	20
24"	24.5	32.0	1.4	...	2.2	20



**VALTIC, S.A. DE C.V.**

FABRICANTE DE TUBERIA DE POLIETILENO Y PROLIPROPILENO

