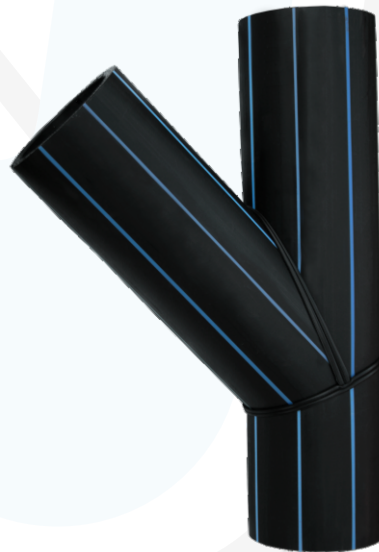
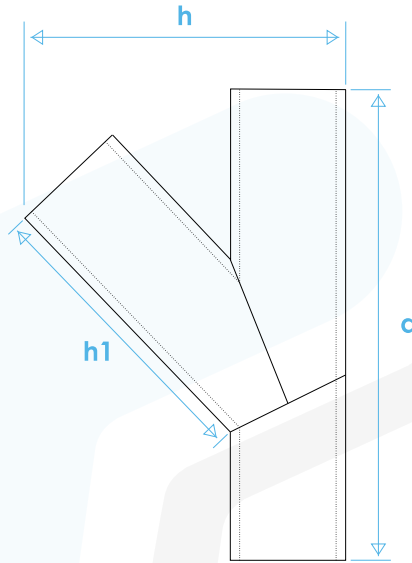


Yee a tope - PE 4710

dimensiones en mm
derechos reservados a Valtic, s.a. de c.v.

MEDIDA	a	h	h1
1 1/4"	278.0	181.5	250.0
1 1/2"	287.1	192.0	250.0
2"	355.3	237.3	250.0
2 1/2"	443.2	294.3	290.0
3"	465.7	321.5	355.6
4"	538.1	375.5	558.4
6"	690.4	499.5	711.2
8"	850.3	621.5	762.0
10"	1014.8	749.0	787.4
12"	1161.9	871.0	838.2
14"	1257.6	990.0	1066.8
16"	1379.5	1120.0	1117.6
18"	1552.5	1240.0	1447.8
20"	1672.0	1380.0	1651.0
22"	1780.0	1500.0	1701.8
24"	1981.2	1690.0	1752.6



VALTIC, S.A. DE C.V.

FABRICANTE DE TUBERIA DE POLIETILENO Y PROLIPROPILENO

