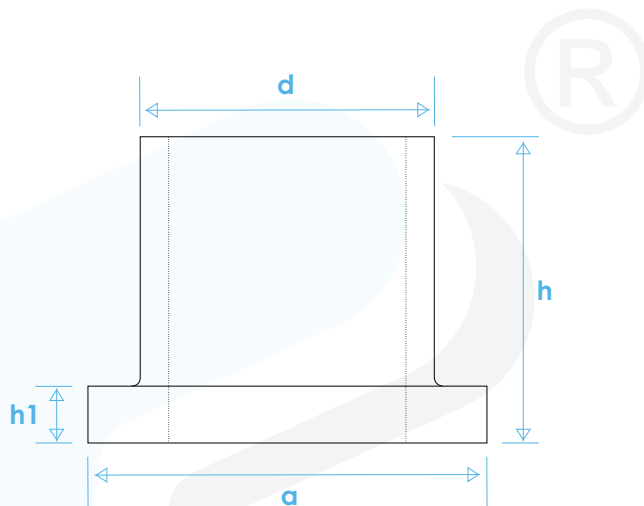


Stub end - PPL C-80

dimensiones en mm
derechos reservados a Valtic, s.a. de c.v.

MEDIDA	d	h	h1	a
1 1/2"	48.3	100.0	12.0	80.0
2"	60.3	148.0	18.0	100.0
3"	88.9	152.4	16.0	127.0
4"	114.3	152.4	13.7	152.4
6"	168.3	203.2	19.8	215.9
8"	219.1	279.4	25.4	270.0
10"	273.1	210.0	34.0	320.0
12"	323.8	300.0	40.0	370.0
14"	355.6	150.0	40.0	440.0



VALTIC, S.A. DE C.V.

FABRICANTE DE TUBERIA DE POLIETILENO Y PROLIPOPILENO

