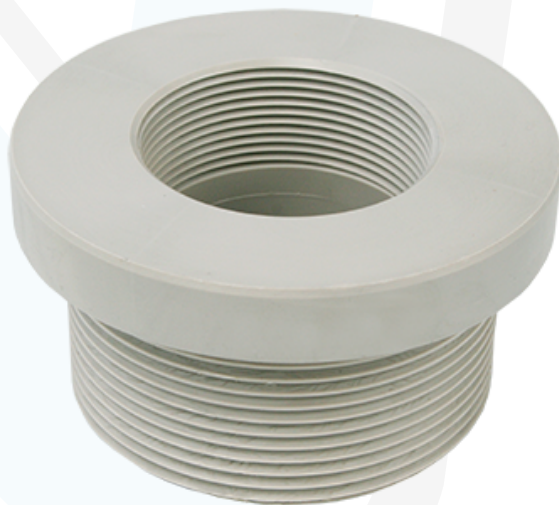
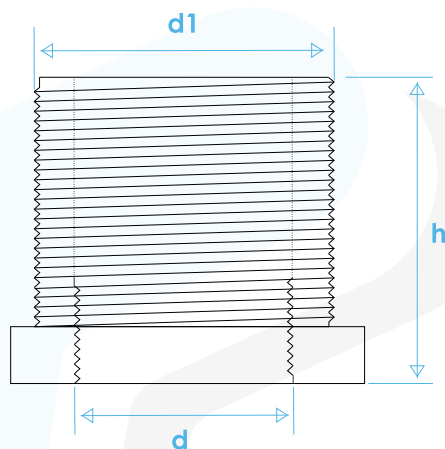


# Reducción bushing roscada - PPL C-80

dimensiones en mm  
derechos reservados a Valtic, s.a. de c.v.

MEDIDA	d	d1	h
3/4 x 1/2"	1/2"	3/4"	24.4
1 x 1/2"	1/2"	1"	29.7
1 x 3/4"	3/4"	1"	30.1
1 1/4 x 1/2"	1/2"	1 1/4"	33.9
1 1/4 x 3/4"	3/4"	1 1/4"	33.9
1 1/4 x 1"	1"	1 1/4"	33.9
1 1/2 x 1/2"	1/2"	1 1/2"	33.1
1 1/2 x 3/4"	3/4"	1 1/2"	34.4
1 1/2 x 1"	1"	1 1/2"	34.3
1 1/2 x 1 1/4"	1 1/4"	1 1/2"	33.4
2 x 1/2"	1/2"	2"	34.6
2 x 3/4"	3/4"	2"	34.5
2 x 1"	1"	2"	34.6
2 x 1 1/4"	1 1/4"	2"	35.0
2 x 1 1/2"	1 1/2"	2"	35.2



**VALTIC, S.A. DE C.V.**

FABRICANTE DE TUBERIA DE POLIETILENO Y PROLIPROPILENO

